

Roppe AlphaBase™ Wall Base



Product Data

Section 9

Resilient Flooring



Installation

6.1 General Preparation and Conditioning

Read the literature concerning the product description, product limitations, wall surface inspection, adhesive information, adhesive application and product installation procedures, and warranty before installation. All materials are to be delivered to the installation location in its original packaging with labels intact. The installation area, un-boxed wall base, and adhesive are to be maintained between 65°F (19°C) and 85°F (30°C) for at least 48 hours before installation, during installation, and thereafter. Proceed with the installation only when the conditions are proper and correct. Inspect all material for proper type and color. Roppe 205 Cove Base Adhesive or Roppe 210 White Acrylic Cove Base Adhesive must be used for the installation of AlphaBase, Rubber Corner Blocks and Factory Corners. A bond test should be performed at least 72 hours prior to the scheduled installation to ensure the surface is suitable. There should be extreme difficulty in removing the wall base from the surface. If the back of the wall base becomes soiled prior to installation, clean with a soft cloth dampened with a mild soap and water solution, rinse, let dry.

6.2 Wall Surface Inspection

6.2.1 All surfaces should be inspected prior to installation. Use only on structurally sound interior wall surfaces such as dry plaster, cured drywall, exterior grade plywood (Group 1, CC type), concrete, and masonry that are clean, smooth, dry, and structurally sound. Roppe AlphaBase is not to be installed over non-porous surfaces such as vinyl or rubber wall coverings, laminated masonite, plastic laminates, FRP Panels, ceramic tile, marble or non-porous paints, or freshly painted surfaces, or over existing alcohol resin adhesives. If needed to install on a wall with vinyl wall covering, the wall covering must be first be cut and remove the wall covering exposing the drywall completely. Cut the wall covering leaving ¼" (6.35mm) margin below where the top of the wall base will be installed. All surfaces must be completely free from moisture, alkali, old adhesive, dust dirt, wax, oil, grease, loose paint, or plaster, non-porous wall coverings or paints, and other extraneous coatings or materials that could prevent a successful bond. Plaster and cement must be thoroughly dry and cured. Any rough or uneven surfaces may telegraph through the wall base. Follow the manufacturer's recommendations for any patching materials. Warning: When removing old wall base or adhesives, unless they can be positively identified not to contain hazardous materials, you must presume the materials may contain hazardous materials. Follow the recommended practices for the proper removal and disposal of the materials.

6.3 Adhesive Information and Product Installation

6.3.1 Roppe 205 Cove Base Adhesive

Roppe 205 Wall Base Adhesive is a fortified acrylic emulsion specifically formulated for Roppe AlphaBase Rubber Corner Blocks and Factory Corners, *which* provides excellent permanent adhesion. It's designed for the installation of Roppe Rubber and Vinyl Wall Base to structurally sound surfaces. It's easy to spread, solvent-free and non-flammable. Roppe 205 Wall Base



Roppe AlphaBase™ Wall Base



Product Data

Section 9

Resilient Flooring



Adhesive has excellent initial grab, long term aged bond strength and will not stain light colored walls. This adhesive is freeze/thaw stable down to 0°F (18°C) and 5-cycles; however, it is recommended to protect all water-based products from freezing. If frozen, DO NOT stir until material has completely thawed. Shelf life is one year @ 70°F (21°C) in an unopened container. This product is available in 11oz. cartridges, 29 oz. cartridges, quarts, and 1-gallon, 2-gallon and 4-gallon plastic buckets. Spread coverage on 4" AlphaBase wall base using a 1/8" saw-tooth spreader is approximately 275 linear feet per gallon. The cartridges are designed for single closely serpentine bead application or for use in a custom applicator with 3-hole nozzles for 4" wall base. When using a 29-fluid ounce cartridge, spread coverage on 4" wall base using 3 beads of adhesive is approximately 62 linear feet. Coverage will vary according to the type of surface, surface texture, spreading angle, and nozzle diameter. Wet adhesive may be cleaned from the face of the wall base, surrounding area, tools, or hands with water. Dried adhesive may be removed with a soft cloth dampened with warm water. DO NOT allow adhesive to dry on wall base, molded corners or rubber corner blocks. Roppe 205 is CRI Green Label Plus, CHPS and LEED Compliant.

Roppe 205 Wall Base Adhesive Calculated VOC's according to California Rule #1168: 27 grams per liter of coating.

6.3.2 Roppe 210 White Acrylic Cove Base Adhesive

Roppe 210 White Acrylic Cove Base Adhesive is solvent-free, non-flammable, and nearly odor free, making it suitable for office buildings, hotels, hospitals, schools and restaurants etc. Roppe 210 is formulated for the installation of Roppe AlphaBase, Rubber Corner Blocks and Factory Corners, *which* provides excellent permanent adhesion. It's designed for the installation of Roppe Rubber and Vinyl Wall Base to structurally sound surfaces. Roppe 210 Adhesive has excellent initial grab, long term aged bond strength and will not stain light colored walls. This adhesive is freeze/thaw stable down to 0°F (18°C) and 5-cycles; however, it is recommended to protect all water-based products from freezing. If frozen, DO NOT stir until material has completely thawed. Shelf life is one year @ 70°F (21°C) in an unopened container. This product is available in 29 oz. cartridges, 1-gallon and 4-gallon plastic buckets. Spread coverage on 4" AlphaBase using a 1/8" saw-tooth spreader is approximately 275 linear feet per gallon. The cartridges are designed for single closely serpentine bead application or for use in a custom applicator with 3-hole nozzles for 4" wall base. When using a 29-fluid ounce cartridge, spread coverage on 4" wall base using 3 beads of adhesive is approximately 62 linear feet. Coverage will vary according to the type of surface, surface texture, spreading angle, and nozzle diameter. Wet adhesive may be cleaned from the face of the wall base, surrounding area, tools, or hands with water. Dried adhesive may be removed with a soft cloth dampened with warm water. DO NOT allow adhesive to dry on wall base, molded corners or rubber corner blocks.

Roppe 210 is CRI Green Label Plus, CHPS and LEED Compliant.

Roppe 210 White Acrylic Cove Base Adhesive Calculated VOC's according to California Rule #1168: 0 grams per liter of coating.



Roppe AlphaBase™ Wall Base



Product Data

Section 9

Resilient Flooring



6.4 Rubber Corner Blocks Installation:

6.4.1 Rubber Corner Blocks must be installed using Roppe 205 Wall Base Adhesive or Roppe 210 White Acrylic Cove Base Adhesive over approved surfaces applied either with a 1/8" saw-tooth trowel or with a cartridge gun, covering the entire back of both the Rubber Corner Blocks and connected wings or wall surface. DO NOT spread adhesive within 1/4" from the top of the Rubber Corner Blocks. The connected Rubber Corner Blocks wings can also be mechanical fastened, in addition to using the recommended adhesive for added stability. When utilizing mechanical fasteners, always position fasteners to Rubber Corner Block Wings in an inconspicuous area and vertically to prevent telegraphing. Any necessary height reductions can simply be achieved by trimming the bottom end of corner blocks. Inside & Outside Rubber Corner Blocks are to be installed prior to installing AlphaBase.

6.4.2 Rubber Corner Blocks and New Wall Base Installation: Before installing new wall base, first install Rubber Corner Blocks (refer to Rubber Corner Blocks Installation Section). Once corners have been installed, cut wall base to desired length and apply adhesive according to wall base instructions, overlapping wall base directly over corner block connecting wings fitting directly against the 1" Rubber Corner Block and roll with a wall base hand roller.

6.4.3 Rubber Corner Blocks Installation with Existing Factory or On-Site Formed Corners: To install Rubber Corner Blocks when either factory or on-site formed corners have been previously installed, measure and remove existing corners leaving enough wall base material to fit tightly against the 1" Rubber Corner Blocks, while completely overlapping the corner block wings. (Refer to Rubber Corner Blocks Installation Section). DO NOT STRETCH wall base during removal. Install Rubber Corner Blocks, wall base and BaseMates using the required adhesive making sure each fits tightly against 1" corner, and then roll with a wall base hand roller.

6.4.4 Job-Site Wrapped Outside Corners:

- 1) Discontinue application of recommended adhesive to wall base approximately twenty-four inches from the outside corner of the wall.
- 2) Position the wall base tight against the wall and mark the length on the back side of the wall base with a pencil utilizing the wall as a guide.
- 3) Position wall base with the back side up on a flat stable surface.
- 4) Utilize a top-set gouge to remove approximately 30% of the wall base's thickness along the pencil line on the side of the line in the direction (A – Vertical Cut) the wall base will be installed. Remove the excess on each side of the groove just above the toe of the wall base.
- 5) Utilize top-set gouge to make two stress relief gouges (B – Stress Relief Cuts) above the wall base toe approximately one-inch from the bottom of the Vertical Gouge Line. Stress Relief cuts should be approximately one-inch long.
- 6) Fold back wall base to pre-form the corner. The toe is to be rolled upwards which will assist in contouring. The top edge of the cove base should fit tight against the wall's surface and the wall base toe should be rounded and sitting flat against the floor.



Roppe AlphaBase™ Wall Base



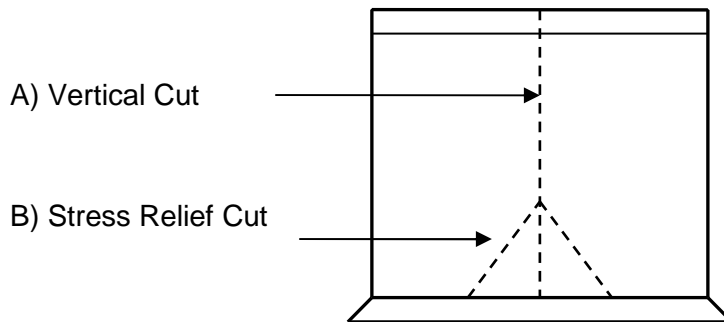
Product Data

Section 9

Resilient Flooring



7) Adhere wall base as directed.



6.4.5 Job-Site Inside Corners:

Job-site inside corners can be made by installing base into the corner, then positioning another piece of wall base without adhesive on the adjoining wall one-inch from the inside corner. Set dividers and placed the hooked end at the top of the installed piece and the pointer end on the top of the uninstalled wall base. Slowly move the dividers downward in a straight vertical motion allowing the hooked end of the dividers to follow the profile of the installed wall base. It is important to apply adequate pressure on the divider's pointer end to transfer the profile onto the surface of the uninstalled wall base. After the profile has been transferred, use a utility knife to cut the pattern on the uninstalled wall base and then apply adhesive with a $\frac{1}{8}$ " saw-tooth trowel and position base into the corner.

6.4.6 Roppe 205 Cove Base and Roppe 210 White Acrylic Cove Base Adhesive Application

Install factory corners, rubber corner blocks or on-site manufactured corners before installing wall base. Fully adhere all corners with recommended Roppe Adhesive. Use mechanical fasteners in addition to adhesive to adhere Rubber Corner Blocks. Roll with hand-roller to ensure proper adhesive transfer and bond. Then cut wall base to desired length and fit tightly against corners. Spread adhesive with a $\frac{1}{8}$ " saw-tooth spreader evenly on the back of the base or wall surface. DO NOT spread adhesive within $\frac{1}{4}$ " from the top of the wall base or allow adhesive to dry or skin-over. Caution: DO NOT STRETCH the wall base. The wall base can be stretched while rolling and will later return to its original length causing gaps at the seams. Note: It is important to always roll the base in the direction toward the last piece installed. This practice will ensure a tight fit at the seams. Bond the base to the wall within 15 minutes after adhesive application and lightly roll with a hand wall base roller. Periodically check the back of the wall base to make sure good adhesive transfer occurs. At least 90% of the base must be covered with adhesive. Adhesive open time will vary upon the type of surface, temperature of the surface, ambient temperature, humidity, and proper conditioning of the adhesive. When using an adhesive cartridge with the existing cartridge nozzle in a standard caulking gun, cut the plastic tip diagonally to produce a bead of adhesive $\frac{1}{4}$ " in diameter. When using the cartridge in an applicator with custom spreader heads, cut the plastic tip to a length of $\frac{1}{4}$ " or less. Puncture



Roppe AlphaBase™ Wall Base



Product Data

Section 9

Resilient Flooring



the tab at the bottom of the nozzle with a screwdriver or other appropriate tool. Apply even pressure to the trigger to produce an even flow of adhesive. Whether using the existing nozzle or custom spreader heads use 3 beads for 4" AlphaBase. For 5" wall base, at least four-beads of adhesive must be applied, and five beads must be applied for 6" wall base. All bead applications must be in a tight serpentine pattern to ensure the wall base is adhered properly. If desired, Job-site inside corners can be made by installing base into the corner, then positioning another piece of wall base without adhesive on the adjoining wall one-inch from the inside corner. Set dividers and placed the hooked end at the top of the installed piece and the pointer end on the top of the uninstalled wall base. Slowly move the dividers downward in a straight vertical motion allowing the hooked end of the dividers to follow the profile of the installed wall base. It is important to apply adequate pressure on the divider's pointer end to transfer the profile onto the surface of the uninstalled wall base. After the profile has been transferred, use a utility knife to cut the pattern on the uninstalled wall base and then apply adhesive with a 1/8" saw-tooth trowel and position base into the corner. To make job-site outside corners, install wall base with adhesive approximately 12" from outside corner. Position an uninstalled piece of wall base against the previously installed base, ensuring the base will extend at least 4" past the corner. Then trace the corner profile with a pencil on the back of the base. Remove base and lay on a flat surface. Utilize a top-set gouge tool and make a shallow notch on the right-hand side of the pencil line, not exceeding one-quarter thickness of the total base thickness. Reposition the wall base corner and make any necessary adjustments for a tight fit. Remove corner and apply adhesive using a 1/8" saw-tooth trowel. To ensure proper fit, the corner return must be at least 6" to relieve enough stress so the base will adhere and hold properly, and is left at the installer's discretion. AlphaBase corners appearance can be enhanced by using Roppe's matching Colored Caulk. DO NOT disturb the installed wall base for 48 hours after installation to allow the adhesive to properly set up. Maintain the temperature between 65°F (19°C) and 85°F (30°C) thereafter. On non-porous wall surfaces, a non-flammable contact bond adhesive should be used, following all manufacturers' warnings and precautions.

7-09

